

TDS10309



DOMUS Central Unit (G3)

DOMUS is a DIN-rail central unit of the third generation (G3) for limited nr of input/output, but with full featured integration capabilities. DOMUS integrates all connected items to behave as one smart system. Typical applications are smart apartments, small to medium size residences/houses, hotel rooms... In multi apartment projects, DOMUS can be the default solution provided by the project developer, but if desired by the buyer, he can extend the system in a modular way. The unit has AUTOBUS and Ethernet connection 1Gbit, 20 Voltage free contact inputs, 2 analogue TDS sensor inputs, 16 relay contact outputs 10A/265V and 4 power dimmer control outputs 0-10V. Power supply 12V connection for external power supply (TDS10132 or TDS10134). A limited number of input/output interfaces can be connected on AUTOBUS (see below). With the optional DOMUS extension license TDS15009 the output capacity can be extended.

APPLICATION

Central unit for full featured low/medium capacity DoIP integrated installations. Can be integrated with other DoIP G3 central units (up to 10 in total in one network).

CHARACTERISTICS

General

Latest generation hardware and software (G3 'Generation Three'). Overall improved characteristics compared to the previous central units. Compatible with most existing user- and technical interfaces.

Equipped with high speed, ultra low power, 32 Bit dual core CPU with built-in coprocessor.

System backup with SuperCap/nvRAM (no batteries and no SD- card needed).

Inputs

- 20 x digital input for voltage free contacts (cable length: max. 50m, min. 0,22 mm², max. 1kΩ)
- 2 x analogue TDS sensor input (T°, light or humidity)

Outputs

- 16 x plug-in relays 10A/265VAC(60A inrush - 20ms)
- 4 x dimmer control output 0-10V (output impedance minimum 500Ω)

General connections

- 1 x RJ45 Ethernet 1Gb – 100Mb compatible
- 1 x 12V Power supply (from TDS10132 or TDS10134)
- 1 x AUTOBUS connexion (none extendable). Max.1000m (optional power supply may apply).

Maximum capacity*

OUTPUTS on basic DOMUS TDS10309: max. total 44

Type	DOMUS	Extension on AUTOBUS**	Total
Relays	16	8 (1 x TDS13510 or TDS13512 or TDS13611)	24
Dimmers	4	8 (1 x TDS13611 or TDS13610 or TDS13621***)	12
Motors	0****	8 (2 x TDS13526)	8

OUTPUTS with DOMUS+ license TDS15009: max. total 68

Type	DOMUS	Extension on AUTOBUS**	Total
Relays	16	24 (3 x TDS13510 or TDS13512 or TDS13611)	40
Dimmers	4	12 (e.g. 3 x power dimmer TDS13634 or TDS13644 or TDS13611 +1 x power dimmer or 12 x DALI addresses)	16

Motors	0****	12 (3 x TDS13526)	12
--------	-------	-------------------	----

INPUTS:

Type	DOMUS	Extension on AUTOBUS**	Total
Digital inputs	20	480 (3 1x TDS12117, ...)	500
TELETASK sensor inputs	2	48 (31 x TDS12311, TDS12310, ...)	50
Touch panels	0	31 x (TDS12020, TDS12021, ...)	31

! * A DOMUS installation can be extended with 9 additional G3 DoIP central units (up to 4568 outputs).

! ** The AUTOBUS has a capacity of up to 31 interfaces.

! *** The TDS13621 interface is limited to 8 DALI or 8 DMX output channels on the DOMUS.

! **** The internal relay outputs of the DOMUS can also be used for motor control (curtains, shades, ...) (in such case two relays to be used per motor).

E.g.: 1 x TDS13510 + 1 x TDS13526 + 1 x TDS13611 + 3 x TDS12117 + 25 AURUS touch panels = 31 interfaces

Software defined Limits

- 500 Local Moods
- 50 General Moods
- 500 Rooms
- 50 Timed Local Moods
- 500 Sensor Zones
- 50 Audio Zones (depends on the connected audio system, see datasheet of TDS15240).
- 250 Transparent Functions
- 250 Timed or Motion Detector Functions
- 250 Fan Functions
- 250 Process Functions
- 500 Clock Actions
- 500 Flags
- 500 If-Then-Else Functions
- 5000 Messages and/or Alarms
- 500 Conditions
- 500 Chip Cards and/or Proximity Tags
- Fan Function: max. 7200 sec.
- Timed Function: max. 7200 sec.
- Motor Function: max. 7200 sec.
- Timed Local Mood: max. 7200 sec. per step
- Motion Detector: max. 7200 sec

Not supported (very old) products

- TDS12110 SERVUS Colour touch screen
- TDS12061 ILLUS Mono/colour touch screen
- TDS12015 LATUS LCD touch panel
- TDS12016 LCD touch panel 5 buttons
- TDS12017 VFD touch panel (BTicino compatible)
- TDS12145 chipcard reader
- TDS12304 (end of life) 4-channel analogue input interface
- TDS12308 (end of life) 8-channel analogue input interface
- TDS13603 DMX interface
- TDS14000 TELETOUCH telephone interface
- TDS14010 Audio access audio interface
- TDS14016 Multi-Audio access audio interface
- TDS14020/21 Galaxy alarm serial interface
- TDS14030 B&O interface
- TDS14035/36 Bose serial interface
- TDS14040 RC5 code audio generator
- TDS14041 IR learnable interface
- TDS14042 universal RS232 + IR-interface
- TDS14045 Xantech audio interface
- TDS14050 TV-interface
- TDS14060 AIRZONE interface
- TDS15100 GUI license

SETTINGS

Programming

With PROSOFT Suite 4.0 or higher

AUTOBUS terminating resistor

Integrated in the unit (no actions needed)

SW1

Push SW1 for 10 seconds to reset Ethernet settings of the DOIP central unit back to DHCP.

SW2

Sends IP address of the central unit to the PC (over Ethernet)

Reset to factory settings

Push 'SW1' + 'SW2' long (10s) on power up: restart central unit to factory settings

Erase .nbt file

Push 'SW1' + 'SW2' long (10s). At an active working central unit the .nbt file will be deleted from the central unit.

INSTALLATION


DIN-rail mounting

13 modules wide (234mm).

Wall mounting (optional)

3 screws Ø 4,5; not included)

Important installation remarks

- !  Due to the risk of electrical shocks (230V), this product must be installed by a certified electrical contractor.
- ! Do not mix G3 central units with G1 or G2 centrale units.

! Must be placed inside an electrical cabinet to avoid the risk of an electrical shock.

! Follow the safety standards from the local authorities to be compliant with all regulations.

CONNECTIONS

Inputs

Contact inputs: plug-in screw terminal 2,5mm² (AWG 14)

Analog sensor inputs: plug-in screw terminal 2,5mm² (AWG 14)

Outputs

Relay contacts: plug-in screw terminal 2,5mm² (AWG 14)

Analog outputs (to power dimmers): plug-in screw terminal 2,5mm² (AWG 14)

Common

Common: plug-in screw terminals 2.5mm² (AWG 14)

AUTOBUS

AUTOBUS: plug-in screw terminal (4 wires AUTOBUS cable)

Ethernet

Gigabit connection to the LAN network using a RJ45/CAT5e (downward compatible with 100Mbit LANs)

Power supply

12V power supply input: plug-in screw terminal (2 wires).

! Use 1 to 2,5mm² wires up to max. 1 meter from power supply TDS10132/TDS10134.

POWER CONSUMPTION

Internal consumption is 120-180mA on the power supply input and max. 320mA all relays ON (excluding external AUTOBUS loads).

DIMENSIONS

234 W x 119 H x 60 D (mm)

NET | GROSS WEIGHT

± 0,720 kg | ± 0,880 kg

PACKAGING CONTENT:

TDS10309 DOMUS central unit

Two terminating jumpers (to be used to terminate at the far-end AUTOBUS interfaces)

Booklet with technical data.

ENVIRONMENTAL CONDITIONS

Storage (non-condensing or icing)

Temperature: -20°C to +65°C max.

Relative humidity: 5% to 85% max.

Operation (non-condensing or icing)

Temperature: 0°C to +50°C max.

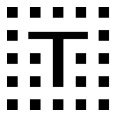
Relative humidity: 5% to 80% max.

IP PROTECTION RATE

IP20

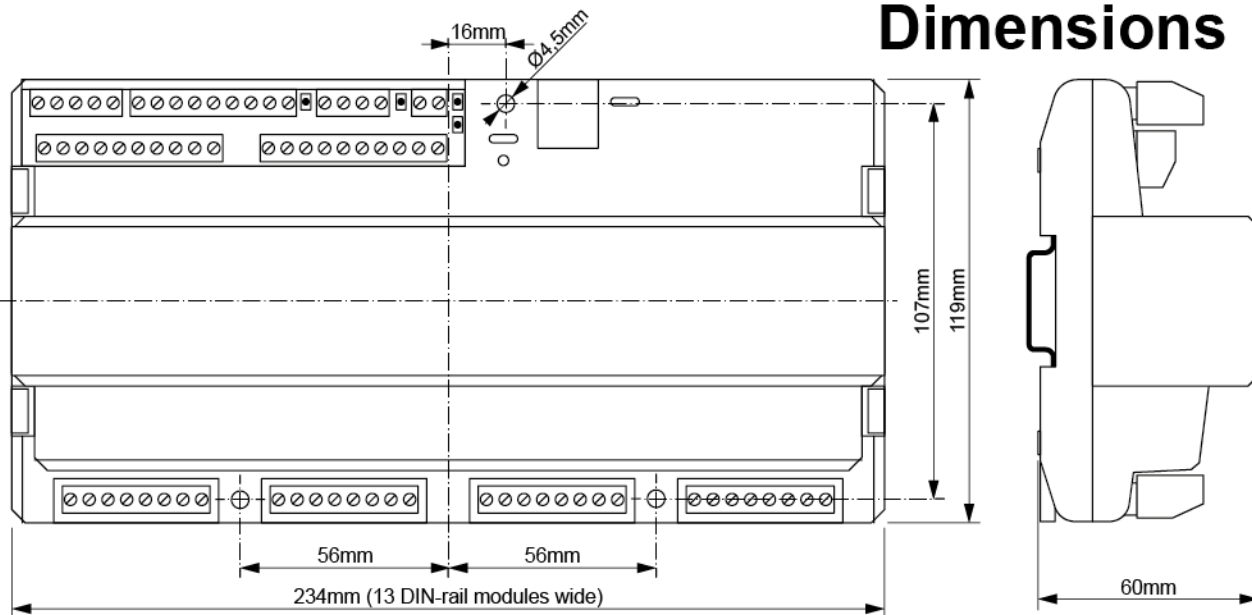
LIMITED WARRANTY

4 years (excl. the relay contacts)

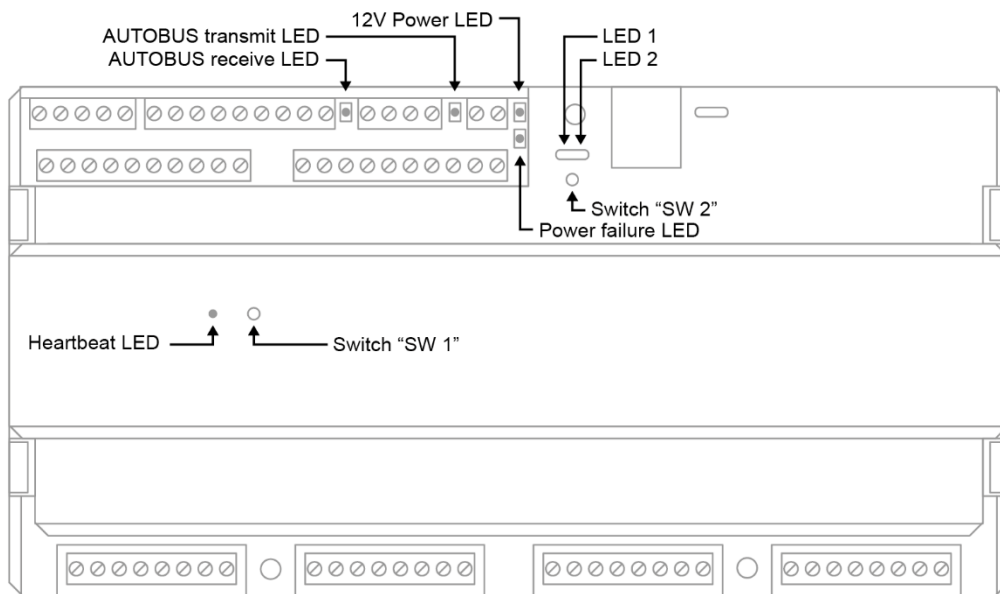


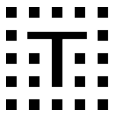
SCHEMATIC DRAWING

Dimensions



Switches + LED's





Connections

