



**TELETASK**

trendsetter in domotics



**ADITOS**

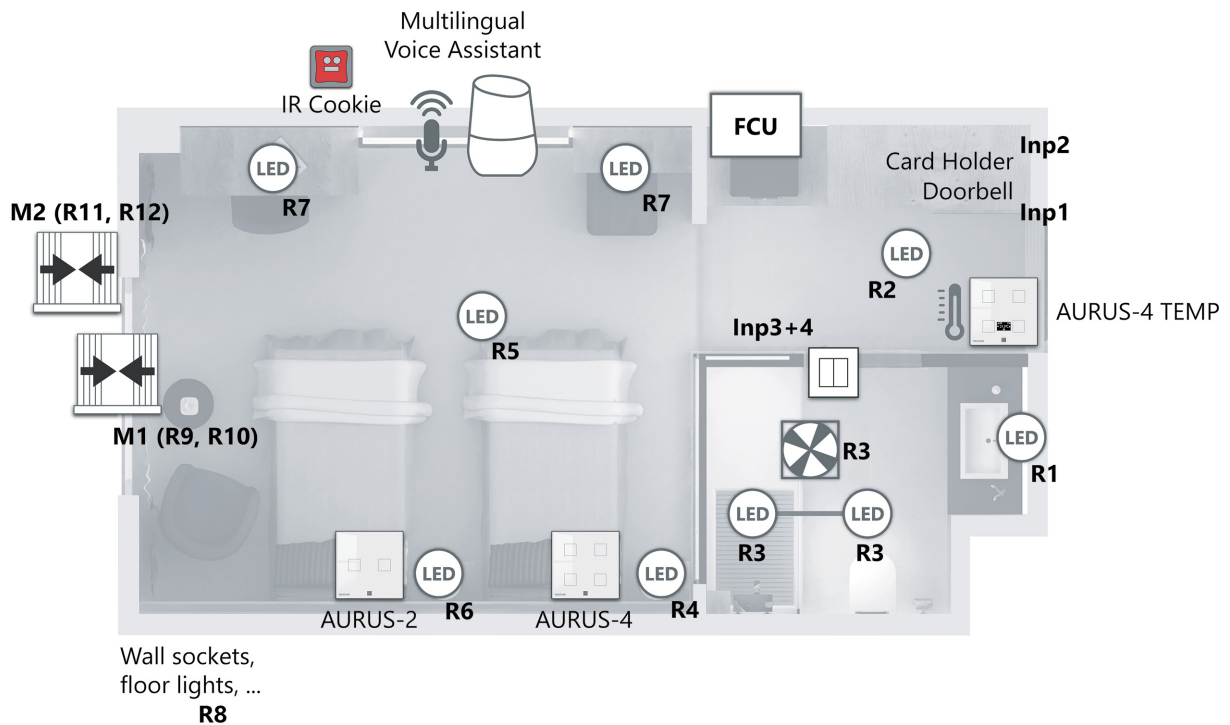
Hotel room concept from TELETASK



# PICOS CENTRAL UNIT

The ADITOS concept is specifically designed for hotel room integration. It allows the project developer to offer a state-of-the-art solution with most efficient investment and maximum features.

The hotel room can be controlled by buttons, touch panels and voice commands in a wide range of languages. It avoids complex and expensive button panels while offering guests a new experience with maximum of comfort and convenience. Due to the connection possibilities for integration with hotel- and building management systems, this concept is made to generate smart hotel rooms in a smart building with high guest comfort level and low cost of operation. The concept also includes remote technical management and diagnostics feature to avoid technical team to enter the room while making functional changes to new offered features.



The above hotel room example is a typical 4/5-star hotel room. The system can be extended in a modular way to control Junior Suites up to Presidential Suites with the same system and full integrated with the central management solution offered by TELETASK and third parties specialised in hotel management systems. Also public area's can be easily integrated and managed by interfaces independent from each other but together in one central management system.

Instead of using more touch panels and touch screens or smart phone control, the TELETASK voice control can be used. It is more price effective and offers an exclusive user experience. Voice commands are processed by a powerful artificial intelligence engine and recognise natural speaking people. The system doesn't need to be trained and any new guest can immediately speak to the system without any training or settings. Several languages are support, depending on the used voice assistant. TELETASK system can be connected to different voice assistant brands. At introduction level, Amazon Alexa and Google Home assistants are supported. All you need is a LAN/WAN connection to the internet for this option.

## **FEATURES OFFERED IN THIS BASIC ROOM SETUP ABOVE:**

- Lighting control (by entry card, buttons, touch panels and by voice commands with artificial intelligence)
- Wall sockets (bedside, floorlights, wall sockets for guest applications like mobile devices, computers, shaver, electrical tooth brush...)
- Curtain control. Basic version is provided for shade and black-out shade control (up,down and stop in between control).
- Bath room exhaust fan (with or without delayed off; timer freely settable).
- TV control via IR-COOKIE which can send any TV command to the room TV. Typical application is ON/OFF upon arrival and check-out of the guest.
- Simple alarm clock setting through voice assistant ('Alexa, please set alarm for 7pm'). Cleaners can delete all alarms by simple voice command ('Ok Google, switch off all alarms).
- Room temperature control by preset levels (from the central management system manual or automatic upon check-in and check-out). Guest can control room temperature on his thermostat touch panel with T° display. Fan coil unit is controlled by the system (2 and 4-pipe supported).
- The system contains high number of timers and all specific intelligence as needed for a smart hotel room.
- The system can be configured to the needs and desires of the hotel management and can be easily changed any time without changing wires or even entering the room.
- AURUS-OLED touch panel can be used to avoid language issues. No text needed because every button gets its digital icon due to the use of a wide-angle and high contrast touch panel with OLED display. (option)

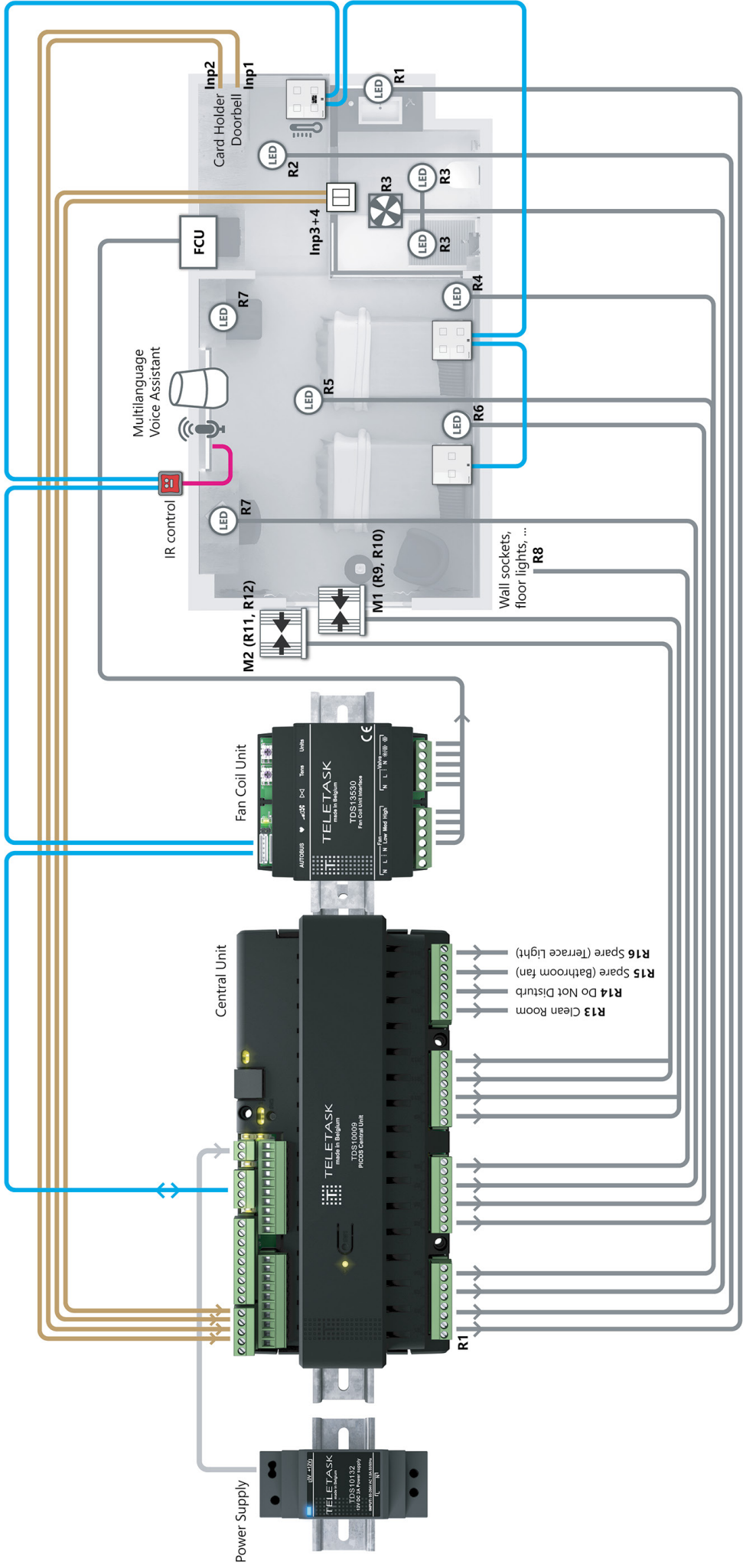
## **BILL OF MATERIALS:**

- 1 x TDS10009 ADITOS central unit for hotel rooms
- 1 x TDS10132 Power supply for TDS10009 and AUTOBUS
- 1 x TDS12020WH AURUS-2 touch panel (2 buttons)
- 2 x TDS12024WH AURUS-4 touch panel (4 buttons)
- 1 x TDS12026WH AURUS-4 TEMP (2 buttons + 2 buttons T° control + T° display)
- 1 x TDS13530 Fan-coil interface (for 2- and 4-pipe systems)
- 1 x TDSxxxxx Voice assistance (subscription 1 Year; excluding the voice assistant device itself)

## **OPTIONS (LIMITED LIST):**

- TDS14065 IR COOKIE interface with IR transmitter for TV control.
- TDS12022WH AURUS-OLED 8 buttons + display instead of TDS12026WH
- TDS13632 LED-strip power dimmer 2 channels (all kind of other power dimmers available like, DALI-2 up to T8 level with daylight control and human centric lighting like used in conference rooms)
- TDS15010 iSGUI for smart phone/tablet control
- TDS16000 Remote services (remote technical management and diagnostics; subscription/year)
- TDS15010CONTROL TOWER master/client license for central management
- TDS15132 interface license to hotel management and/or building management system
- TDS13621 DALI interface (supports DMX, DALI (including newest V2-T8 tuneable white and RGB) or DSI lighting control)

Electrical installation scheme (basic example)



## CONTROL DETAILS

### 1. Buttons/control panels/thermostat

TYPE	KEY CARD READER	TDS12020WH 2 BUTTONS	TDS12024WH 4 BUTTONS	TDS12026WH (T°) 2BUTTONS+2 BUTT. T° = ROOM THERMO-STAT	2 BUTTONS
Location	Entrance	Bedside left	Bedside right	Room (bathroom wall)	Bath room
Button nr. 1	General electricity	Reading light	Reading light	Entrance light	Main bath-room light(s)
Button nr. 2	x	Main lights	Main lights	Room lights	Mirror light(s)
Button nr. 3	x	-	Curtain	T° up	x
Button nr. 4	x	-	Blackout cur-tain	T° down	x

### OPTIONAL CONTROL FUNCTIONS:

TYPE	VOICE ASSISTANT ALL AVAILABLE FUNCTIONS (CONTROL AND FEEDBACK IN DIFFERENT LAN-GUAGE DEPENDING ON SELECTED VOICE AS-SISTANT)	TDS12022WH (IN-STEAD OF TDS12026WH) 8 BUTTONS + T°= ROOM THERMOSTAT
Location	Anywhere in the room (f.i. fixed in office desk)	Room (bathroom wall)
Button nr. 1	-	Entrance light
Button nr. 2	-	Room lights
Button nr. 3	-	T° up
Button nr. 4	-	T° down
Button nr. 5	-	Fan speed up
Button nr. 6	-	Fan speed down
Button nr. 7	-	Do Not disturb
Button nr. 8	-	Please clean room
+ 3 x 8 extra but-tons available	-	24 more functions on page 2, 3 and 4 of this OLED touch panel.

Many more functionalities are available, like f.i. dimming lights, colour lights, terrace light, IR remote control, smart phone control...

## 2. System control outputs

N/OUT nr.	Function	Location	Remarks
IN1	Door bell input	Hall way	
IN2	Card holder	Entrance	
IN3	Main light + fan in bath room	Bath room	
IN4	Mirror light bath room	Bath room	
IN5	Spare (f.i. window contact)	Window	
IN6	Spare	-	
IN...7 to IN 20	By default there are 20 voltage free inputs available on TDS10009 unit.	-	
R1	Mirror light bath room	Bath room	
R2	Entrance light	Entrance	
R3	Bath room light (+ shower light + exhaust fan)	Bath room	
R4	Reading light bed (left)	Room	
R5	Bedroom main lights	Room	
R6	Reading light bed (right)	Room	
R7	Bedroom side/desk lights	Room	
R8	Wall sockets (incl.floor lights)	Room and bath room	
R9	Shade motor (up/down)	Room	
R10	Shade motor (start/stop)	Room	
R11	Black-out shade motor (u/d)	Room	
R12	Black-out shade motor (st/sp)	Room	
R13	Clean room indicator	Hall way	
R14	Do not disturb indicator	Hall way	
R15	Door bell	Entrance	
R16	Spare: terrace light or bath room fan (if to be separat-ed from bath room main lights).		
IR on IR COOKIE	TV control (from hotel management)	TV	TV ON/ OFF for check-in and check-out

The components for the electrical distribution board are compact and DIN-rail mount for fast installation. Replacement of defect items can be done in minutes by internal technical staff with short training. Instruction movie can be made easily. Spare part list and investment is very limited. Up-time document is available.



# TELETASK

trendsetter in domotics



ISO 9001

BUREAU VERITAS  
Certification

N° BE008171-1