



**TDS90035**

**On-wall box for AURUS family**

The AURUS on-wall box TDS90035 is to be used for on-wall mounting of the AURUS-family interfaces. In case you have a concrete, marble, etc... wall where you can't (or you are not allowed) to put a standard in-wall box or a flush- wall box, the TDS90035 will offer you the proper design solution.

This plastic wall box has an anthracite (dark- grey) colour, similar to the back of the AURUS.

**APPLICATION**

Box for on-wall mounting of AURUS family

**INSTALLATION**

**AURUS family**

On-wall mounting of AURUS family members.

The TELETASK wall bracket (supplied with the AURUS unit) is to be mounted inside the TDS90035. Follow the instructions.

You can connect your AURUS unit with the AUTOBUS (and optional Ethernet cable for AURUS-TFT) in different ways.

Cable(s) can enter from the back (if behind the wall). But if the cable(s) are fed through on-wall conduit(s), break-out holes are provided for up to two cable glands (included with the package).

**DIMENSIONS**

86 W x 86 H x 36 D (mm)

**NET | GROSS WEIGHT**

0,055 kg | 0,200 kg

**PACKAGING CONTENT**

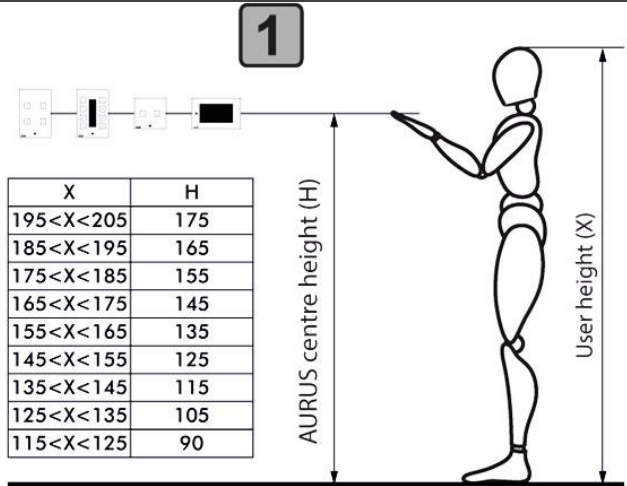
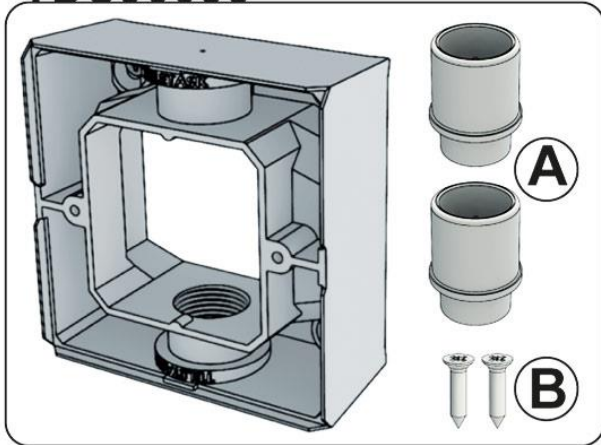
TDS90035 On-wall box

2x cable glands

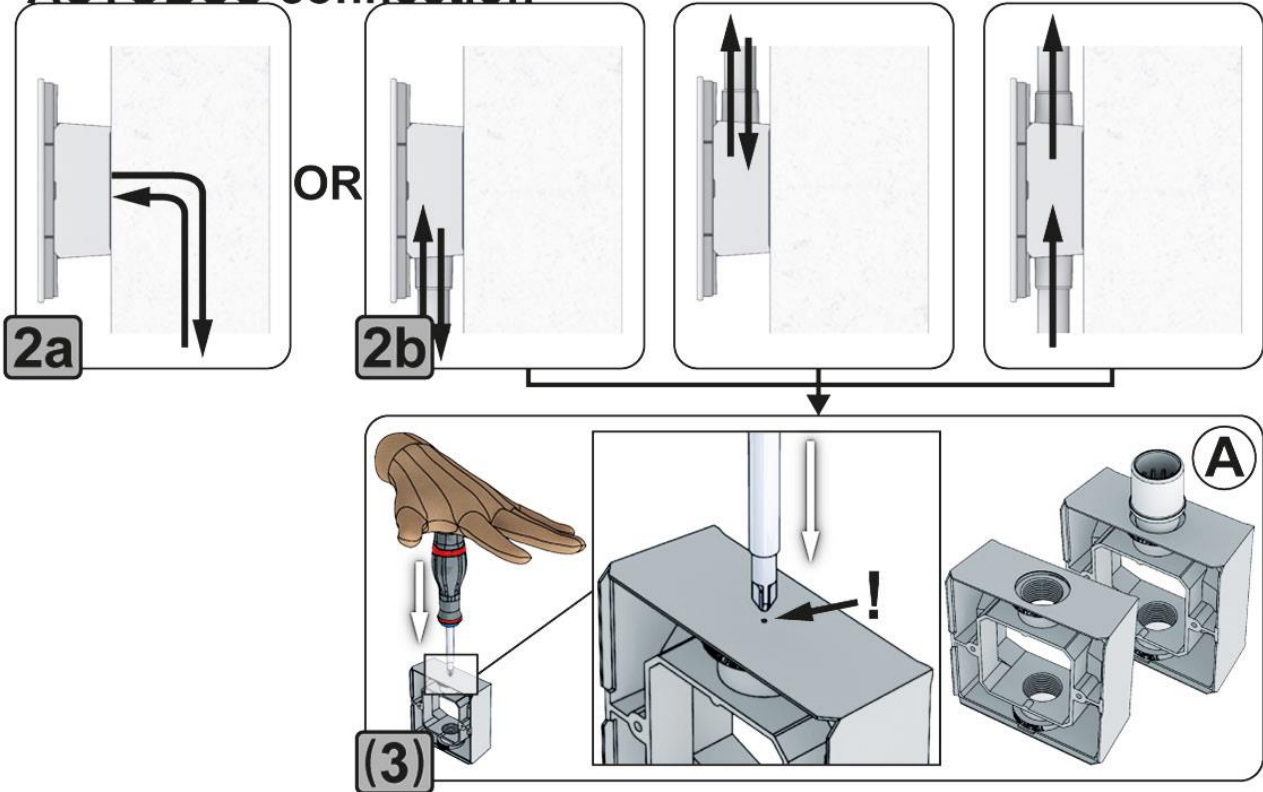
2x self-tapping screws

**SCHEMATIC DRAWING**

**TDS90035**



**AUTOBUS connection**



**Mounting**

